

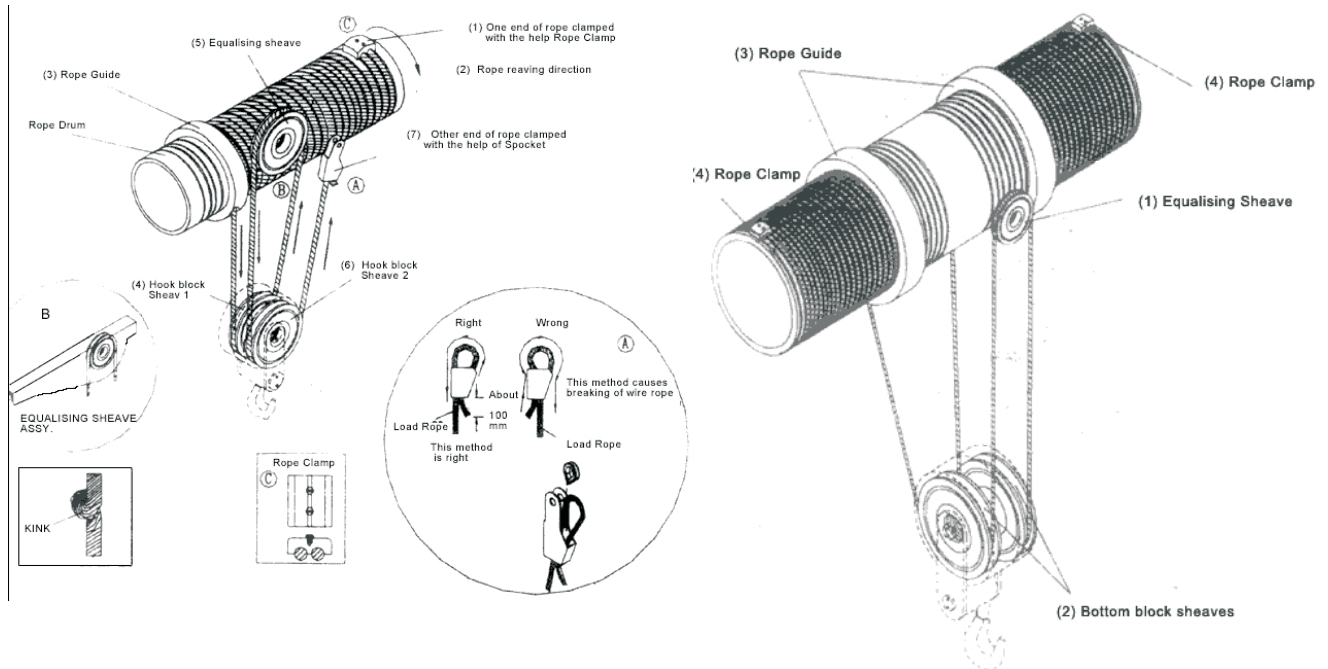
DGCRANE

Xinxiang Degong Machinery Co.,Ltd

CRANE DRUM catalog



Structure of wire rope drum



*Clamping Design
Increases Safety
and Ease of
Maintenance*

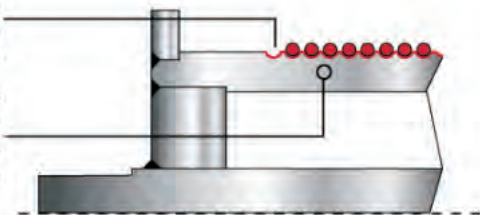
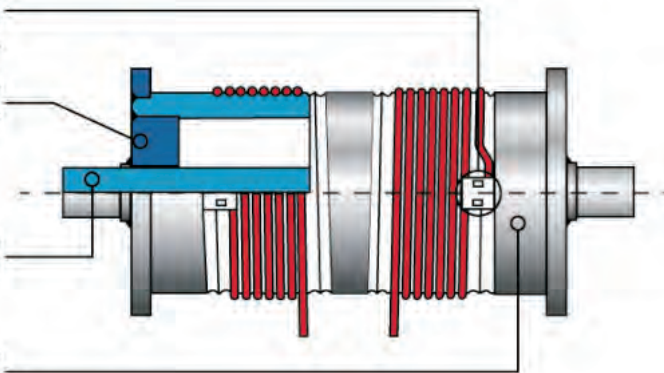
*Shrink-fit and
Welded Hubs*

*Solid
Through-Shaft*

*Low Carbon
Steel Shell*

*Carburized and
Hardened Grooves
for longer Drum
and Rope Life*

*Case Depth of
0.100" to 0.150"
throughout the
Grooves*



Benefits

- A significant increase in the life of the rope drum
- Reduced wire rope expense
- Less downtime
- Reduced maintenance costs
- Safe –elimination of welds and through shaft provides a drum much more resistant to a catastrophic failure

Heat treating capabilities

- TSP Carburized
- Flame hardened or annealed



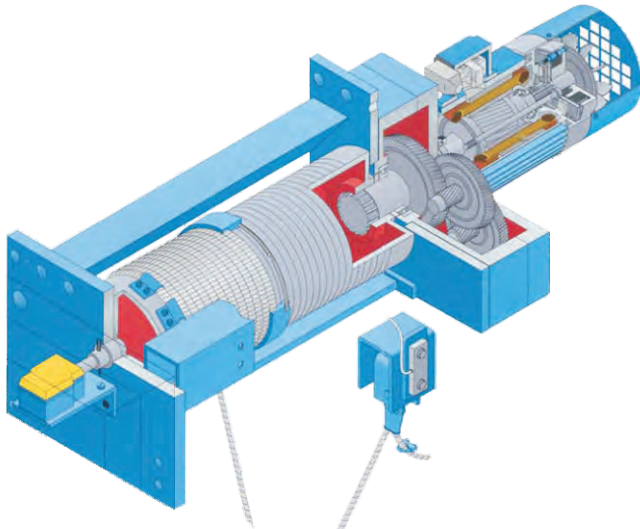
Steel Wire Rope Drum

DGCrane offered rope drums are manufactured from low carbon steel, which is carburized and hardened to produce a longer lasting rope drum. these rope drums can be customized as per our precious customers specifications.

The hardened case of rope drum has a very uniform and war resistant surface, which is typically hardened to 60 HRC minimum, the hardened and toughened case of the groove surface is approximately 2mm deep, hardened and toughened grooves lower the coefficient of friction between the rope and the grooves, decreasing groove wear, rope wear and related downtime costs.



Widely application



Electric hoist

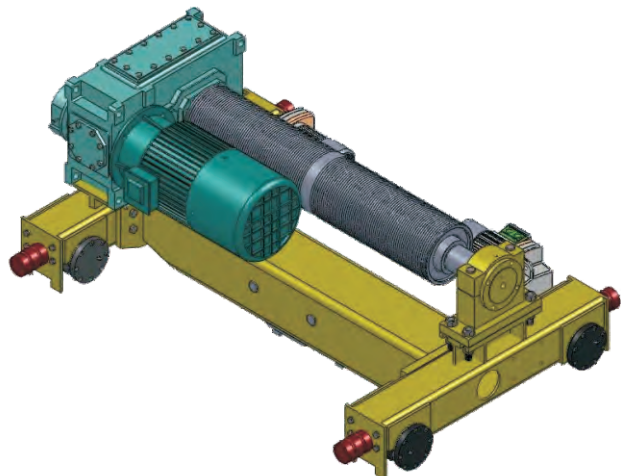


Double girder overhead crane
traversing trolley

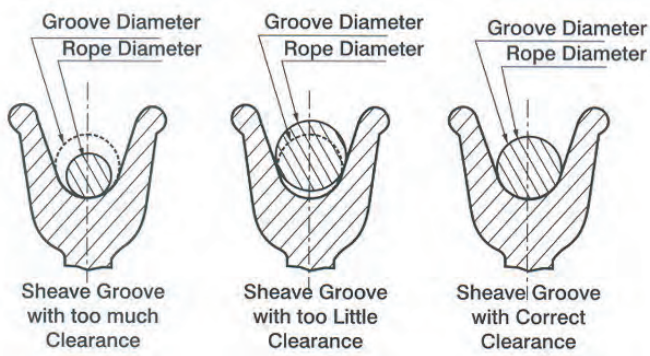
These rope drums are widely known for its durability and quality, and widely used on bridge crane and gantry crane to the lifting mechanism of the crane, it is an important component. Its main function is to wind wire rope and then lift the materials.



Electric winch

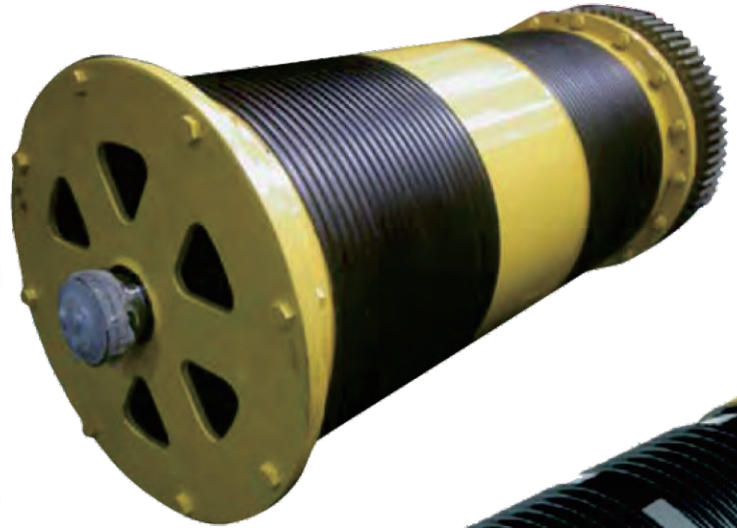


Electric hoist trolley for
double girder EOT crane



Inspection

all items are checked and tested thoroughly during every working procedure and after the product is finally manufactured to ensure that best quality product goes out in the market.



Design and production capacity

- Material: Q235 ,Q345 ,45#
- Heat treatment :hardening and tempering, high frequency quenching, carburizing quenching and so on
- Groove surface quench: HRC45-55
- Groove surface quench depth: $\geq 2\text{mm}$
- Max processing diameter: 2,000mm

Classification of Crane Drum



Cast iron type crane drum

- The material of this kind of crane drum is cast iron HT200.
- Cast iron type crane drum is more prevalent than the other two as follows.
- Centrifugal casting is used in the process of production.
- The wire rope can be better protected owing to the material of cast iron.



Cast steel type crane drum

- The material of this kind of crane drum is cast steel.
- It is rarer than cast iron type and steel plate crane drum because of the lower cast ability.
- Centrifugal casting is used in the process of production.

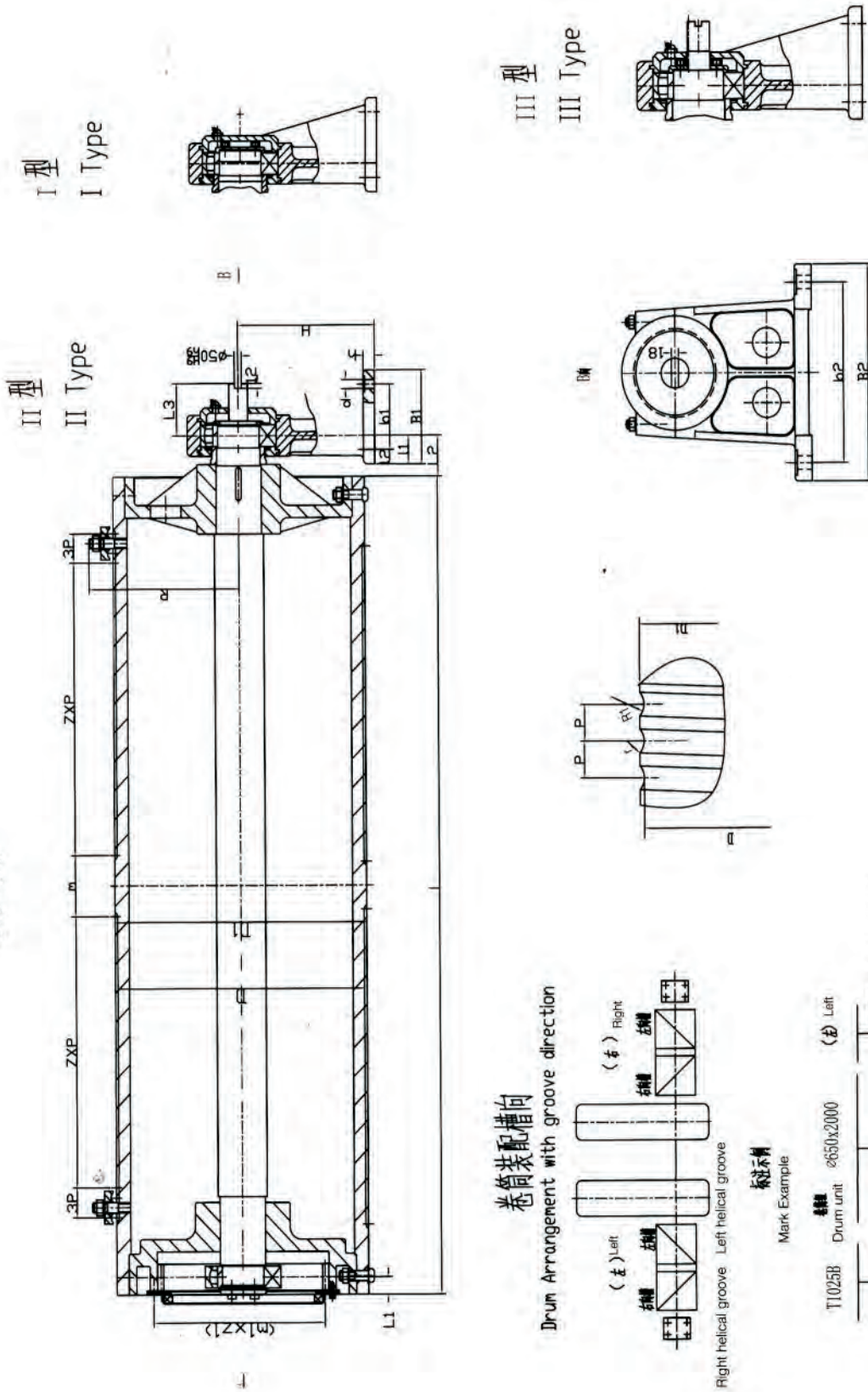


Steel plate type crane drum

- The material of this kind of crane drum is steel plate, Q235, Q345.
- It is more common than cast steel type crane drum.
- Welding is used in the production process of steel plate type crane drum.
- It is easy and convenient to produce.

NO.	Specification	Lifting capacity(t)	pulley ratio	screw pitch	lifting height(m)	weight(kg)
1	φ300×1000	3.2	2	14	12	264
2	φ300×1500	3.2	2	14	18	342
3	φ400×1000	5	2	16	16	334
4	φ400×1500	10	3	16	16	454
5	φ500×1500	16	3	20	16	753
6	φ500×1500	20	4	20	12	753
7	φ650×2000	32	4	24	16	1500
8	φ800×2000	50	5	28	12	2534
9	φ800×4000	75	5	32	20	3390
10	φ1000×4000	100	6	36	20	6070

卷筒组
Drum unit



卷筒装配槽向

Drum Arrangement with groove direction

Right helical groove Left helical groove

标记示例

Mark Example

T1025B	卷筒 Drum unit	φ650x2000	(左) Left	卷筒直径 Drum Diameter
	卷筒长度 X 槽向 Drum Arrangement X Drum Length			卷筒槽向 Drum Arrangement
Drawing No. 卷筒图号				

Φ300卷筒组选用表Data List for Drum UnitΦ300

序号 No.	部件图号 Part No.	D×L	型号 Type	ds	p	m	D ₁	L ₁	L ₂	L ₃	B ₁	B ₂	b ₁	b ₂	l ₁	l ₂	H	h	R	m ₂ ×z ₂	重量 Weight (kg)	用途 use	备注 Remarks
1	T554	Φ300×1500	I	11	13	13	308	17.5	100		180	360	120	300	50	30	210	30	187.5	3×56	342		
2	T5285	Φ300×1200	II	16	18	18	310	17.5	100	78	180	360	120	300	50	30	210	30	201	3×56	331	5t 抓斗	For Grad
3	T489	Φ300×1000	I	11	13	13	308	17.5	100		180	360	120	300	50	30	210	30	201	3×56	239		
4	T490	Φ300×1000	I	12	14	14	308	17.5	100		180	360	120	300	50	30	210	30	187.5	3×56	239		
5	T1020B	Φ300×1500	II	11	13	13	308	17.5	100	78	180	360	120	300	50	30	210	30	187.5	3×56	342		
6	T497	Φ300×1500	I	11	13	13	308	17.5	100		180	360	120	300	50	30	210	30	187.5	3×56	333		
7	T383G	Φ300×1000	II	11	13	13	308	17.5	100	78	180	360	120	300	50	30	210	30	187.5	3×56	252		
8	T423G	Φ300×1000	II	12	14	14	308	17.5	100	78	180	360	120	300	50	30	210	30	187.5	3×56	252		
9	T545G	Φ300×1200	I	8	11	11	308	17.5	100		180	360	120	300	50	30	210	30	187.5	3×56	280		
10																							
11																							
12																							
13																							
14																							

Φ400卷筒组选用表Data List for Drum UnitΦ400

序号 No.	部件图号 Part No.	D×L	型号 Type	ds	p	m	D ₁	L ₁	L ₂	L ₃	B ₁	B ₂	b ₁	b ₂	l ₁	l ₂	H	h	R	m ₂ ×z ₂	重量 Weight (kg)	用途 use	备注 Remarks
1	T566	Φ400×1800	I	14.5	16	150	409	10	100		180	360	120	300	50	30	210	30	30	4×56	520		
2	T514	Φ400×1500	II	16	22	250	418	10	140	78	180	360	120	300	50	30	210	30	30	4×56	493		
3	T552	Φ400×1500	I	11	12.7	150	409	10	100		180	360	120	300	50	30	210	30	30	4×56	440		
4	T549	Φ400×1500	I	11	12.7	50	408	10	100	78	180	360	120	300	50	30	210	30	30	4×56	454		
5	T587	Φ400×2000	II	14.5	16	250	409	10	100		180	360	120	300	50	30	210	30	30	3×56	575		
6	T593	Φ400×2000	I	14.5	16	250	409	10	100	78	180	360	120	300	50	30	210	30	30	4×56	572		
7	T491	Φ400×1000	II	14.5	16	48	409	10	100		180	360	120	300	50	30	210	30	30	4×56	321		
8	T1023B	Φ400×1500	II	14.5	16	150	409	10	100	78	180	360	120	300	50	30	210	30	30	4×56	454		
9	T492	Φ400×1500	I	14.5	16	150	409	10	100		180	360	120	300	50	30	210	30	30	4×56	440		
10	T1022B	Φ400×1000	II	14.5	16	48	409	10	100	78	180	360	120	300	50	30	210	30	30	4×56	334		
11	T415G	Φ400×800	II	14.5	16	48	409	10	100	78	180	360	120	300	50	30	210	30	30	4×56	288		
12	T416G	Φ400×1200	II	14.5	16	250	409	10	100	78	180	360	120	300	50	30	210	30	30	4×56	382		
13	T422G	Φ400×1500	II	14.5	16	250	409	10	100	78	180	360	120	300	50	30	210	30	30	4×56	454		
14	T507	Φ400×2000	I	14.5	16	150	409	10	100		180	360	120	300	50	30	210	30	30	3×56	574		
15	T598	Φ400×2500	I	14.5	16	50	409	10	100		180	360	120	300	50	30	210	30	30	4×56	691		
16	T565	Φ400×2200	I	14.5	16	150	409	10	100		180	360	120	300	50	30	210	30	30	4×56	619		
17	T607	Φ400×2500	I	14.5	16	150	409	10	100		180	360	120	300	50	30	210	30	30	4×56	691		
18	T608	Φ400×2500	I	11	12.7	150	408	10	100		180	360	120	300	50	30	210	30	30	4×56	692		
19	T603	Φ400×2500	II	13.5	16	150	409	10	100	78	180	360	120	300	50	30	210	30	30	4×56	717		
20	T1023Z	Φ400×1500	II	16	22	400	418	10	100	78	180	360	120	300	50	30	210	30	30	4×56	460		

Φ500卷筒组选用表Data List for Drum UnitΦ500

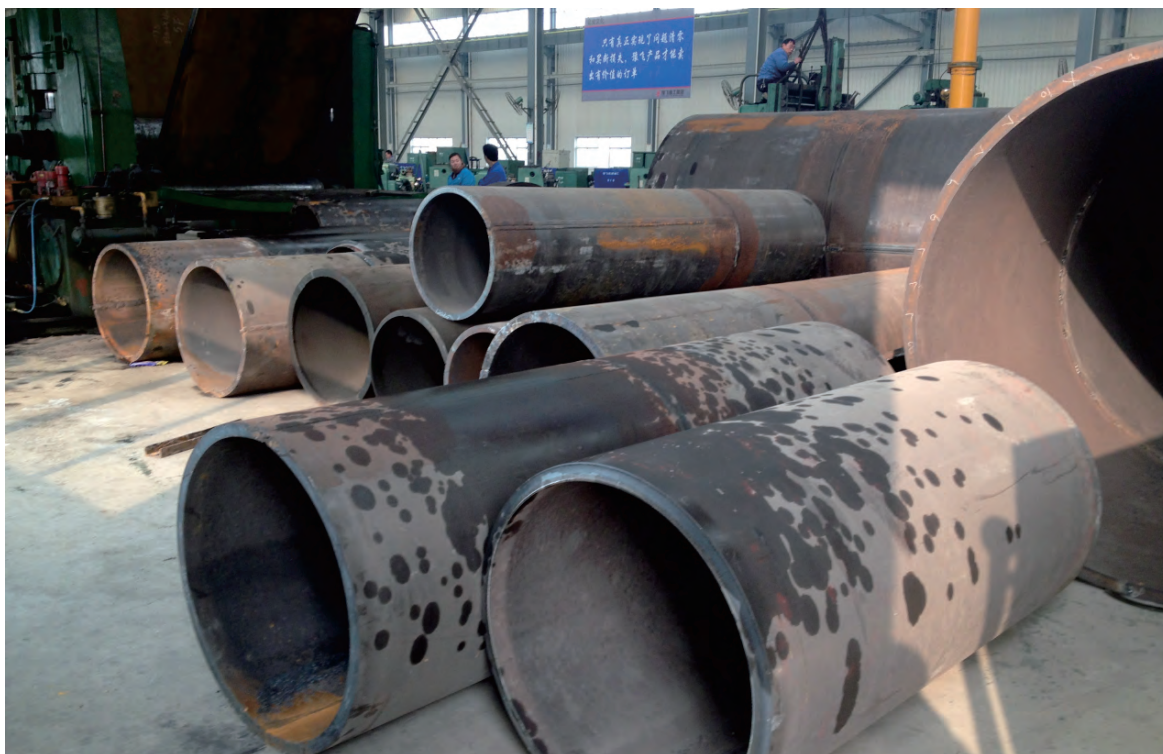
序号 No.	部件图号 Part No.	D×L	型号 Type	ds	p	m	D ₁	L ₁	L ₂	L ₃	B ₁	B ₂	b ₁	b ₂	l ₁	l ₂	H	h	R	m ₂ ×z ₂	重量 (kg)	用途 use	备注 Remarks
1	T535	Φ500×3800	I	17.5	20	400	512	45	100		200	410	140	350	60	30	260	30	316	6×56	2000		
2	T536	Φ500×2000	II	17.5	20	120	512	45	100	96	200	410	140	350	60	30	260	30	316	6×56	785		
3	T540	Φ500×2200	II	17.5	20	50	512	45	100	96	200	410	140	350	60	30	260	30	316	6×56	1027		
4	T541	Φ500×2200	II	22	28	300	524	60	133	96	200	410	140	350	60	30	260	30	316	6×56	1167		抓斗
5	T568	Φ500×2000	II	22	28	500	524	60	133	96	200	410	140	350	60	30	260	30	223	6×56	1077		抓斗
6	T613	Φ500×2200	I	17.5	20	120	512	45	100		200	410	140	350	60	30	260	30	233	6×56	1017		
7	T429G	Φ500×1200	II	22	28	70	524	60	82	96	200	410	140	350	60	30	260	30	316	6×56	716		抓斗
8	T547	Φ500×1800	II	24	28	120	524	60	133	96	200	410	140	350	60	30	260	30	322	6×56	982		
9	T548	Φ500×1800	II	24	28	300	524	60	133	96	200	410	140	350	60	30	260	30	322	6×56	986		
10	T620	Φ500×3100	II	16	18	120	512	45	100	96	200	410	140	350	60	30	260	30	303	6×56	1594		
11	T639	Φ500×2800	I	17.5	20	420	512	45	100		200	410	140	350	60	30	260	30	316	6×56	1260		
12	T1024Z	Φ500×1500	II	20	26	300	524	60	85	96	200	410	140	350	60	30	260	30	325	6×56	852		抓斗
13	T571	Φ500×1685	II	17.5	20	105	512	45	100	96	200	410	140	350	60	30	260	30	316	6×56	837		
14	T570	Φ500×2840	II	17.5	20	180	512	45	100	96	200	410	140	350	60	30	260	30	316	6×56	1249		
15	T493	Φ500×1500	I	17.5	20	120	512	60	85		200	410	140	350	60	30	260	30	316	6×56	739		
16	T1024B	Φ500×1500	II	17.5	20	120	512	60	85	96	200	410	140	350	60	30	260	30	316	6×56	753		
17	T417G	Φ500×1200	II	17.5	20	80	512	45	100	96	200	410	140	350	60	30	260	30	316	6×56	618		

Φ650卷筒组选用表Data List for Drum UnitΦ650

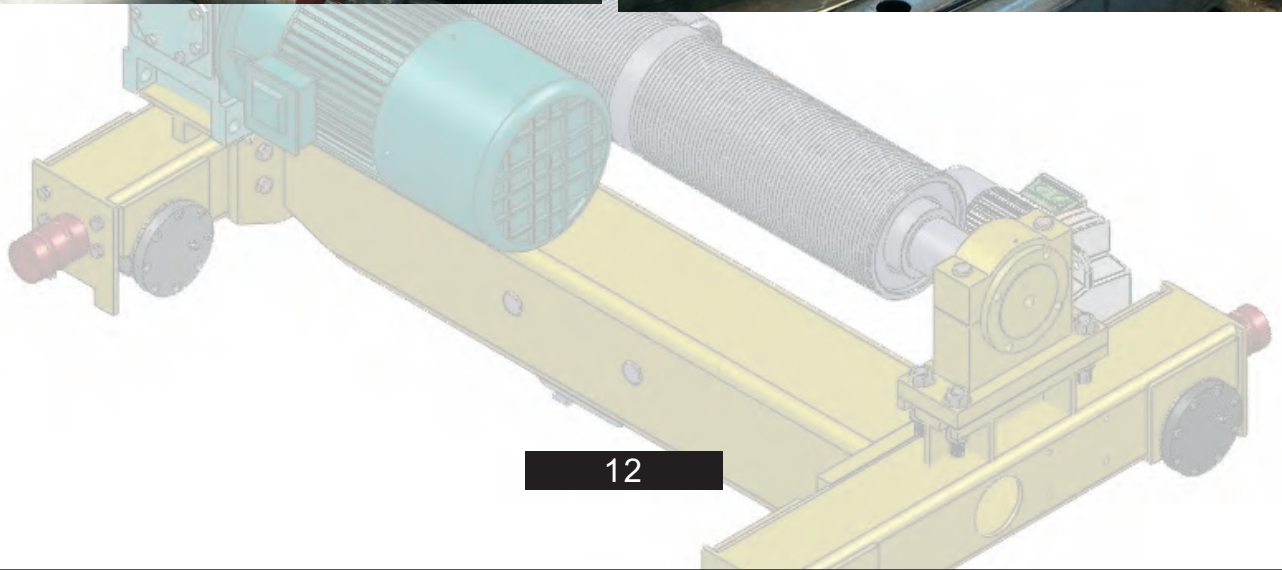
序号 No.	部件图号 Part No.	D×L	型号 Type	ds	p	m	D ₁	L ₁	L ₂	L ₃	B ₁	B ₂	b ₁	b ₂	l ₁	l ₂	H	h	R	m ₂ ×z ₂	重量 (kg)	用途 use	备注 Remarks
1	T567	Φ650×2500	I	17.5	20	130	664	43	100		230	470	160	400	70	35	360	30	412	8×54	1769		
2	T494	Φ650×2000	I	21.5	24	150	664	43	100		230	470	160	400	70	35	360	30	412	8×54	1499		
3	T1025B	Φ650×2000	I	21.5	24	150	664	43	100	99	230	470	160	400	70	35	360	30	412	8×54	1500		
4	T583	Φ650×1500	I	21.5	24	150	664	43	100		230	470	160	400	70	35	360	30	412	8×54	1499		
5	T557	Φ650×3200	I	21.5	24	150	664	43	100		230	470	160	400	70	35	360	30	412	8×54	2154		
6	T544	Φ650×2500	III	21.5	24	150	664	43	100	99	230	470	160	400	70	35	360	30	412	8×54	1777		
7	T563	Φ650×2500	I	21.5	24	150	664	43	100		230	470	160	400	70	35	360	30	412	8×54	1769		
8	T546	Φ650×2300	I	21.5	24	150	664	43	100		230	470	160	400	70	35	360	30	412	8×54	1655		
9	T562	Φ650×3200	III	21.5	24	150	664	43	100	99	230	470	160	400	70	35	360	30	412	8×54	2156		
10	T594	Φ650×2300	I	17.5	20	120	662	43	100		230	470	160	400	70	35	360	30	412	8×54	1656		
11	T567	Φ650×4700	I	21.5	28	150	664	43	100		230	470	160	400	70	35	360	30	412	8×54	3223		
12	T577	Φ650×1500	III	21.5	24	66	664	43	100	99	230	470	160	400	70	35	360	30	412	8×54	1201		
13	T572	Φ650×1500	III	21.5	24	150	664	43	100	99	230	470	160	400	70	35	360	30	412	8×54	1201		
14	T510	Φ650×5500	III	21.5	24		664	43	100	99	230	470	160	400	70	35	360	30	412	8×54	6256		



Crane drum manufacturing workshop

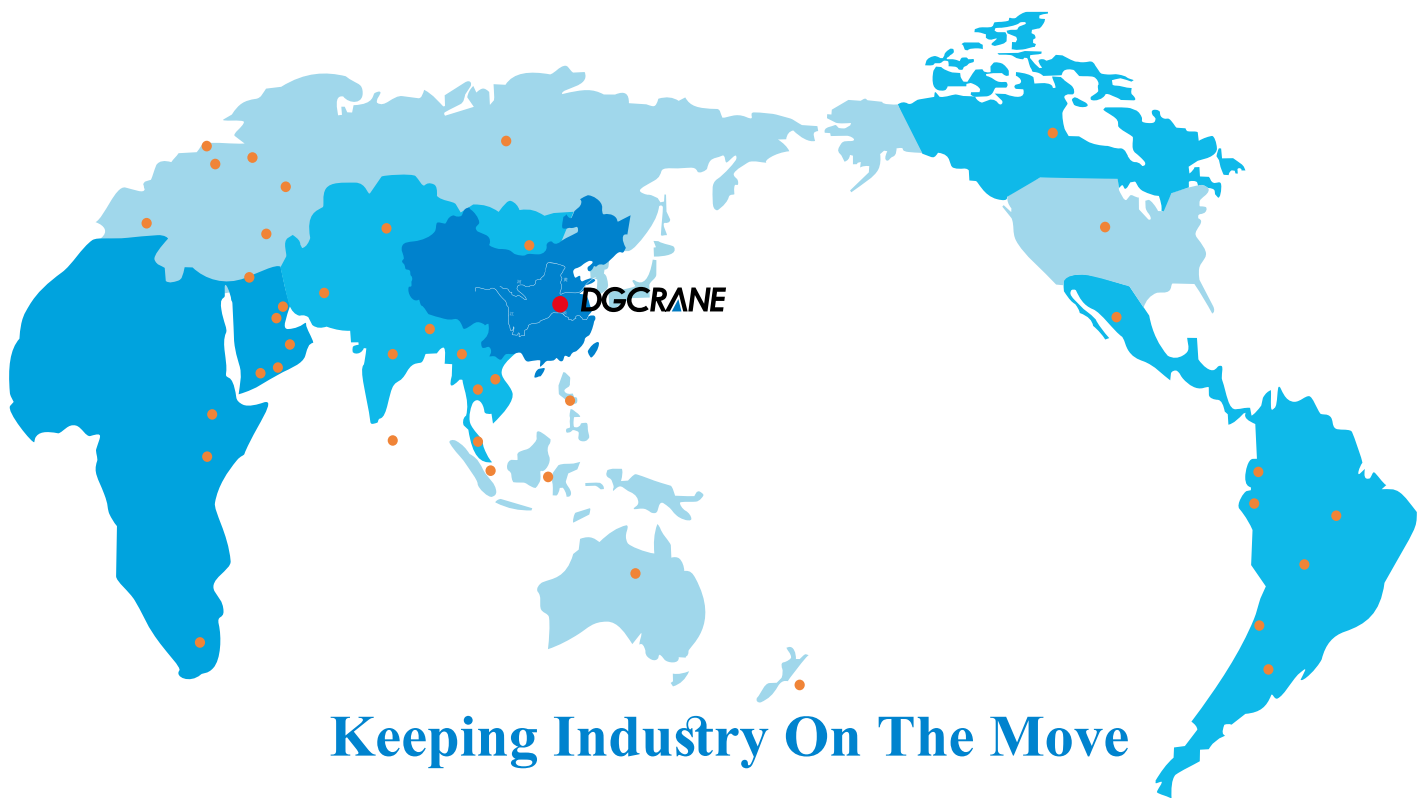


Drum Polishing & Assembling workshop



package and delivery





Keeping Industry On The Move

Countries Supplied To:

Singapore	uzbekistan	Africa	Ethiopia	Brazil
Thailand	bahrain	Egypt	Kenya	Ecuador
Vietnam	Georgia	Libya	Tanzania	Peru
Bangladesh	Iraq	Tunisia	Mauritius	holand
India	Syria	Nigeria	Mexico	germany
Pakistan	Turkey	Cameroon	America	Russia
Sri Lanka	The united Arab emirates	South Africa	Nicaragua	spain
kazakhstan	Qatar	In Zambia	Argentina	austrilia
tajikistan	Saudi Arabia	djibouti	boliviano	new zealand

Email: sales@dgcrane.com Tel: +86-373-3876188

Fax: +86-373-3876088 M.p: +86-186 3737 9397 Web: www.dgcrane.com

ADD: Unit 1, Gongyuan Int'l Building, Jinsui Road, Xinxiang City, Henan Province