



**Xinxiang Degong Machinery Co., Ltd**

# GANTRY CRANE

## WHY CHOOSE US?

1. Where the first manufacturer for product the portable gantry crane.
2. We have 23 agents in China and all of them exported abroad.
3. We have the professional R&D team of 10 people to design the new product to meet more and more requirements.
4. All of our gantry cranes have 5 steps of QC.
  - 1) Semi-finished QC
  - 2) Production- line QC
  - 3) The next station on the production line for the last station QC.
  - 4) Complete test QC before sending.
  - 5) Safety docking test and bearing test.
5. We have 3\*8 hours service team, then you can contact us at anytime.
6. We've embraced ISO9001 and CE certifications.
7. Our crane sare delivered 2 types of packages. Firstly bubble film, then packed with wooden case or steel pallet.
8. We offer comprehensive warranties: a ten year warranty on manual systems and a one-year warranty on motorized systems.
9. Our gantry cranes have sent to USA, UK, France, Italy, Russia, Poland, South Korea, Japan, Australia, Dubai, Indonesia, Brazil, Mexico...













Customers Coming



Our worker is welding the A-frame on an Aluminum Gantry Crane.

# GANTRY CRANE

## Gantry Crane

Picture					
Item No.	PT-1	PT2-1	PT2-2	PT2-3	PT2-4
Rated Load	20ton	10ton	10ton	1 ton	20ton
Max Height	10m	12m	10m	5m	12m
Hoist Type	10m	12m	12m	5m	12m
Moving Method	electric or manual	electric or manual	electric or manual	electric or manual	electric or manual
Key Features	manual	manual	manual	manual	manual
Key Features	fixed height and span, fast assembly and disassembly, universal wheels with brake, mobile moving	adjustable height, height will be adjusted by sub stalls, universal wheels with brake, mobile moving	adjustable height, height can be adjusted to any position under the conditions of technology, and when you adjust the height, it can also lift the heavy load, universal wheels with brake, mobile moving	fast assembly and disassembly, universal wheels with brake, mobile moving, light self-weight	electric adjustable height, height can be adjusted to any position under the conditions of technology, and when you adjust the height, it can also lift heavy load, universal wheels with brake, mobile moving
Picture					
Item No.	PT-3	PT-4	LT-1	LT-2	LT-3
Rated Load	20ton	20ton	5ton	5ton	5ton
Max Height	10m	10m	8m	8m	8m
Hoist Type	15m	15m	8m	8m	8m
Moving Method	electric or manual	electric or manual	electric or manual	electric or manual	electric or manual
Key Features	electric	electric	manual	manual	manual
Key Features	electric moving, can move and turn freely, can lift things when move or adjust the height, optional drive device with clutch, can convert between electric and manual according to your local floor situation and application	electric rail mounted gantry crane is more stable, need to lay the track, more efficiently, for the adjustment, you can choose from PT2-1, PT2-2 or PT2-4	fixed height and span, light self-weight, fast assembly and disassembly, universal wheels with brake, mobile moving	adjustable height, light self-weight, fast assembly and disassembly, universal wheels with brake, mobile moving	adjustable height and adjustable span, light self-weight, fast assembly and disassembly, universal wheels with brake, mobile moving

They are basic specifications for our portable gantry crane. Our professional R&D team will provide you the suitable project based on your requirement.

Firstly, you can tell us the rated load, the span, the lifting height.

Secondly, you can tell us you will use it in which place and lift what material. If you don't know the specifications needed, pls tell us the usage and application of the portable gantry crane, our professional R&D will provide the suitable solutions according to your demands.

# GANTRY CRANE

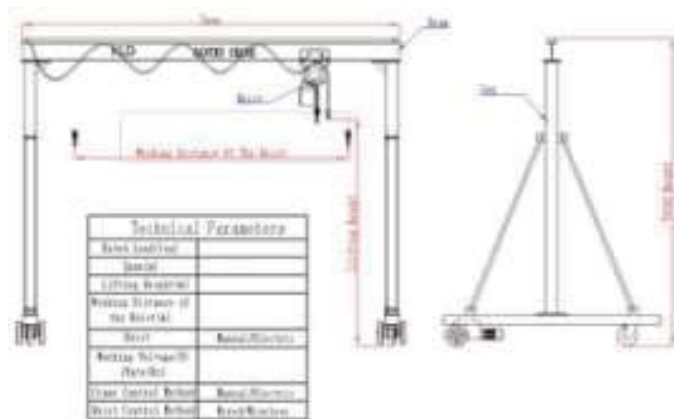
# GANTRY CRANE

## Physical Maps

PT1-1



## 3D Picture and X-Y drawing



The specifications are our hot-sale. Other size need customized. But no mold fee.

Please provide us the rated load, the lifting height, the span.

# GANTRY CRANE

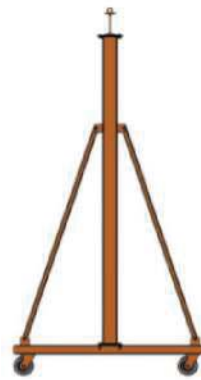
## PT1-1 Fixed height gantry crane

## Technical Parameters



Item No.	Rated load (ton)	Total height (mm)	Lifting height (mm)	Outside span (mm)	Inner span (mm)	H Height (mm)
PT1-1	1	2000	1390	2000	1760	410
	1	3000	2390	3000	2760	410
	1	4000	3390	4000	3760	410
	1	5000	4340	5000	4760	410
	1	6000	5340	5000	4760	410
	2	2000	1215	2000	1720	535
	2	3000	2215	3000	2720	535
	2	4000	3215	4000	3720	535
	2	5000	4215	4000	3720	535
	2	5000	4215	5000	4720	535
	2	6000	5215	5000	4720	535
	3	2000	1015	2000	1660	685
	3	3000	2015	3000	2660	685
	3	4000	3015	4000	3660	685
	3	5000	4015	4000	3660	685
	3	5000	4015	5000	4660	685
	3	6000	5015	5000	4660	685
	5	2000	910	2000	1560	740
	5	3000	1910	3000	2560	740
	5	4000	2910	4000	3560	740
	5	5000	3910	4000	3560	740
	5	5000	3910	5000	4560	740
	5	6000	4910	5000	4560	740
	10	2000	670	2000	1560	880
	10	3000	1670	3000	2560	880
	10	4000	2670	4000	3560	880
	10	5000	3367	4000	3650	880
	10	5000	3670	5000	4560	880
	10	6000	4670	5000	4560	880

All the hoist attached are super-low lifting loop chain electric hoist. And the lifting height and the inner span maybe have a little change as your requirements size and lifting load. Then the data are not the final. All the datas will be based on our designs.



# GANTRY CRANE

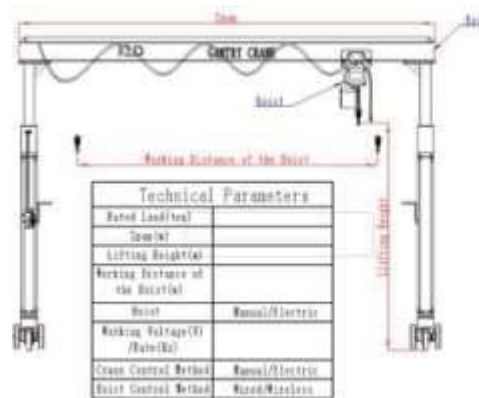
# GANTRY CRANE

## Physical Maps

PT2-1



## 3D Picture and X-Y drawing



The specifications are our hot-sale. Other size need customized. But no mold fee.

Please provide us the rated load, the lifting height, the span.

# GANTRY CRANE

## PT2-1 Winch type adjustable height gantry crane

Adjustable height also can adjust the span, all disassembly.

Hand push type, universal castor with brake device.

According to your requirements, we can design the suitable size for you.

This type is suitable for the self height can not be too high. But you need the lifting height is higher. The height is adjusted by sub-stalls. You need to adjust the height firstly, then let the hoist to lift the heavy things.



### Technical Parameters

All the hoist attached re super-low lifting loop chain electric hoist. And the lifting height and the inner span may have a little change as your requirements size and lifting load. Then the data are not the final. All the datas will be based on our designs.

Item No.	Rated load (ton)	Total height (mm)	Lifting height (mm)	Outside span (mm)	Inner span (mm)	H Height (mm)
PT2-1	1	2600-4000	3390	3000	2760	410
	1	3500-5000	4390	3000	2760	410
	2	2600-4000	3215	3000	2690	535
	2	3500-5000	4215	3000	2690	535
	3	2600-4000	3015	3000	2690	685
	3	3500-5000	4015	3000	2690	685
	5	2600-4000	2910	3000	2610	740
	5	3500-5000	3910	3000	2610	740



# GANTRY CRANE

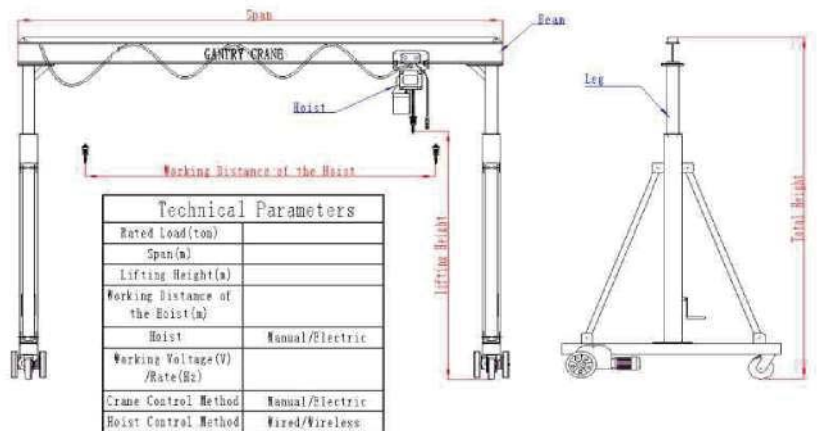
# GANTRY CRANE

## Physical Maps

## PT2-2



## 3D Picture and X-Y drawing



The specifications are our hot-sale. Other size need customized. But no mold fee.

Please provide us the rated load, the lifting height, the span.



# GANTRY CRANE

## PT2-2 Worm type adjustable height gantry crane

Adjustable height also can adjust the span, all disassembly.

Hand push type, universal castor with brake device.

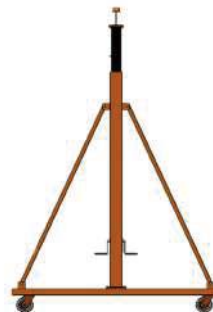
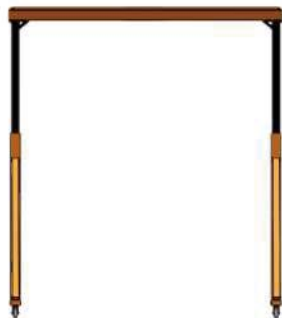
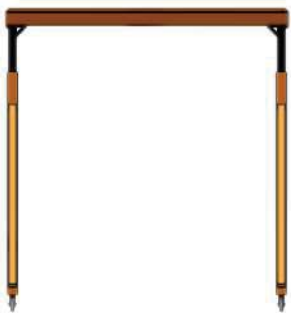
According to your requirements, we can design the suitable size for you.



### Technical Parameters

Item No.	Rated load (ton)	Total height (mm)	Lifting height (mm)	Outside span (mm)	Inner span (mm)	H Height (mm)
PT2-2	1	2600-4000	3390	3000	2760	410
	1	3500-5000	4390	3000	2760	410
	2	2600-4000	3215	3000	2690	535
	2	3500-5000	4215	3000	2690	535
	3	2600-4000	3015	3000	2690	685
	3	3500-5000	4015	3000	2690	685
	5	2600-4000	2910	3000	2610	740
	5	3500-5000	3910	3000	2610	740

All the hoist attached are super-low lifting loopchain electric hoist. And the lifting height and the inner span may be have a little change as your requirements size and lifting load. Then the data are not the final. All the datas will be based on our designs.



# GANTRY CRANE

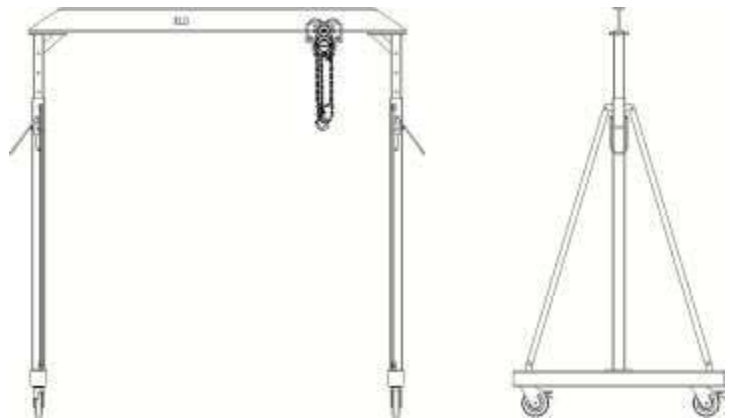
# GANTRY CRANE

## Physical Maps

PT-2-3



## 3D Picture and X-Y drawing



The specifications are our hot-sale. Other size need customized. But no mold fee.

Please provide us the rated load, the lifting height, the span.

Address: Changnao Industrial District, Xinxiang City, Henan Province, China

Email: [sales@dgcrane.com](mailto:sales@dgcrane.com)

M.p: +86-186 3737 9397

Web: [www.dgcrane.com](http://www.dgcrane.com)

# GANTRY CRANE

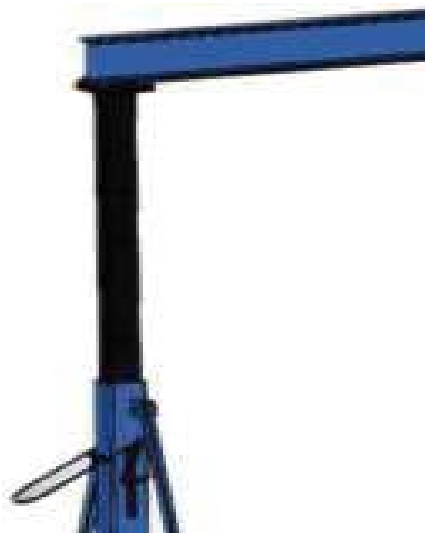
## PT2-3 Portable mini gantry crane

Adjustable height and all parts are disassembled. The rated load is only 0.5ton and 1ton. But the size can be adjustable as your requirements.

Hand push type, universal castor with brake device.

Item No.	Rated load (ton)	Total height (mm)	Lifting height (mm)	Outside span (mm)	Inner span (mm)	H Height (mm)
PT2-3	0.5	2000-3000	2610	2000	1840	250
	0.5	2000-3000	2610	3000	2840	250
	0.5	2000-3000	2610	4000	3840	250
	0.5	2600-4000	3610	3000	2840	250
	0.5	2600-4000	3610	4000	3840	250
	1	2000-3000	2581	2000	1840	259
	1	2000-3000	2581	3000	2840	259
	1	2000-3000	2581	3000	2840	259
	1	2600-4000	3581	4000	3840	259
	1	2600-4000	3581	4000	3840	259

All the hoist attached are super-low lifting loop chain electric hoist. And the lifting height and the inner span may be have a little change as your requirements size and lifting load. Then the data are not the final. All the datas will be based on our designs.



# GANTRY CRANE

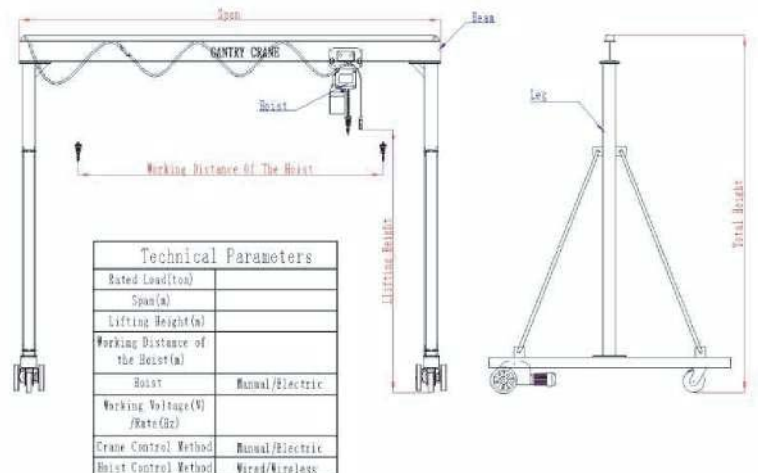
# GANTRY CRANE

## Physical Maps

## PT-3



## 3D Picture and X-Y drawing



The specifications are our hot-sale. Other sized need customized. But no mold fee.

Please provide us the rated load, the lifting height, the span.

# GANTRY CRANE

## PT-3 Electric moving gantry crane

For this type, the span and height can be fixed also can be adjustable, but our spares all disassembly.

Electric moving type, you can let it go any place by handling the controller. You can let it turn left, turn right, go straight and go back easily. Optional drive device with clutch, can convert freely between electric and manual. According to the your local floor situation and application environment. For the adjustment, you can choose from PT2-1, Pt2-2 or PT2-4.

According to your requirements, we can design the suitable size for you.



### Technical Parameters

All the hoist attached are super-low lifting loop chain electric hoist. And the lifting height and the inner span may be have a little change as your requirements size and lifting load. Then the data are not the final. All the datas will be based on our designs.



Item No.	Rated load (ton)	Total height (mm)	Lifting height (mm)	Outside span (mm)	Inner span (mm)	H Height (mm)
PT-3	1	2000	1390	2000	1760	410
	1	3000	2390	3000	2760	410
	1	4000	3390	4000	3760	410
	1	5000	4390	4000	3760	410
	1	5000	4340	5000	4760	410
	1	6000	5340	5000	4760	410
	2	2000	1215	2000	1720	535
	2	3000	2215	3000	2720	535
	2	4000	3215	4000	3720	535
	2	5000	4215	4000	3720	535
	2	5000	4215	5000	4720	535
	2	6000	5215	5000	4720	535
	3	2000	1015	2000	1660	685
	3	3000	2015	3000	2660	685
	3	4000	3015	4000	3660	685
	3	5000	4015	4000	3660	685
	3	5000	4015	5000	4660	685
	3	6000	5015	5000	4660	685
	5	2000	910	2000	1560	740
	5	3000	1910	3000	2560	740
	5	4000	2910	4000	3560	740
	5	5000	3910	4000	3560	740
	5	5000	3910	5000	4560	740
	5	6000	4910	5000	4560	740
	7.5	2000	700	2000	1560	900
	7.5	3000	1700	3000	2560	900
	7.5	4000	2700	4000	3560	900
	7.5	5000	3700	4000	3560	900
	7.5	5000	3700	5000	4560	900
	7.5	6000	4700	5000	4560	900
10	2000	670	2000	1560	880	
10	3000	1670	3000	2560	880	
10	4000	2670	4000	3560	880	
10	5000	3670	4000	3560	880	
10	5000	3670	5000	4560	880	
10	6000	4670	5000	4560	880	

# GANTRY CRANE

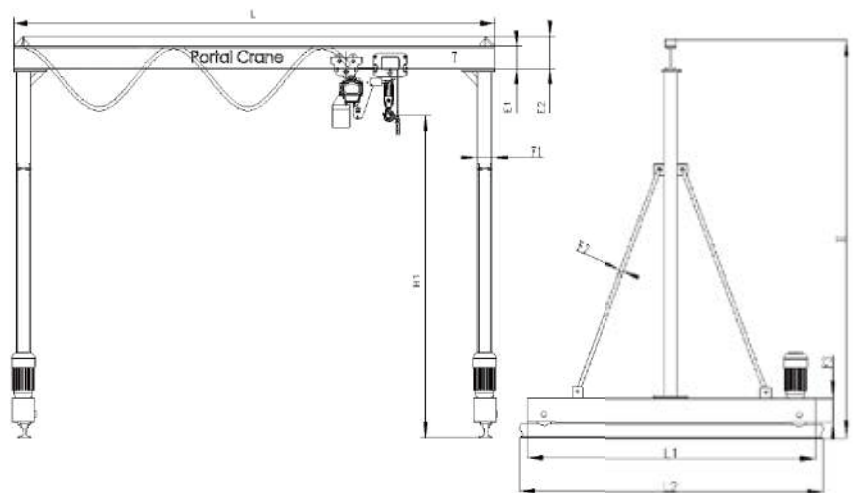
# GANTRY CRANE

## Physical Maps

PT-4



## 3D Picture and X-Y drawing



The specifications are our hot-sale. Other sized need customized. But no mold fee.

Please provide us the rated load, the lifting height, the span.

# GANTRY CRANE

## PT-4 Rail mounted electric gantry crane

Rail mounter type makes the gantry crane more stable. But it means the floor of your local place can lay the track easily. Electric moving makes the production efficiently. For the adjustment, you can choose from PT2-1, PT2-2 or PT2-4.

According to your requirements, we can design the suitable size for you.



### Technical Parameters

All the hoist attached are super-low lifting loop chain electric hoist. And the lifting height and the inner span may be have a little change as your requirements size and lifting load. Then the data are not the final. All the datas will be based on our designs.

Item No.	Rated load (ton)	Total height (mm)	Max. Lifting height (mm)	Outside span (mm)	Inner span (mm)	H Height (mm)
PT-4	1	2000	1390	2000	1760	410
	1	3000	2390	3000	2760	410
	1	4000	3390	4000	3760	410
	1	5000	4390	4000	3760	410
	1	5000	4340	5000	4760	410
	1	6000	5340	5000	4760	410
	2	2000	1215	2000	1720	535
	2	3000	2215	3000	2720	535
	2	4000	3215	4000	3720	535
	2	5000	4215	4000	3720	535
	2	5000	4215	5000	4720	535
	2	6000	5215	5000	4720	535
	3	2000	1015	2000	1660	685
	3	3000	2015	3000	2660	685
	3	4000	3015	4000	3660	685
	3	5000	4015	4000	3660	685
	3	5000	4015	5000	4660	685
	3	6000	5015	5000	4660	685
	5	2000	910	2000	1560	740
	5	3000	1910	3000	2560	740
	5	4000	2910	4000	3560	740
	5	5000	3910	4000	3560	740
	5	5000	3910	5000	4560	740
	5	6000	4910	5000	4560	740
	7.5	2000	700	2000	1560	900
	7.5	3000	1700	3000	2560	900
	7.5	4000	2700	4000	3560	900
	7.5	5000	3700	4000	3560	900
	7.5	5000	3700	5000	4560	900
	7.5	6000	4700	5000	4560	900
10	2000	670	2000	1560	880	
10	3000	1670	3000	2560	880	
10	4000	2670	4000	3560	880	
10	5000	3670	4000	3560	880	
10	5000	3670	5000	4560	880	
10	6000	4670	5000	4560	880	

# GANTRY CRANE

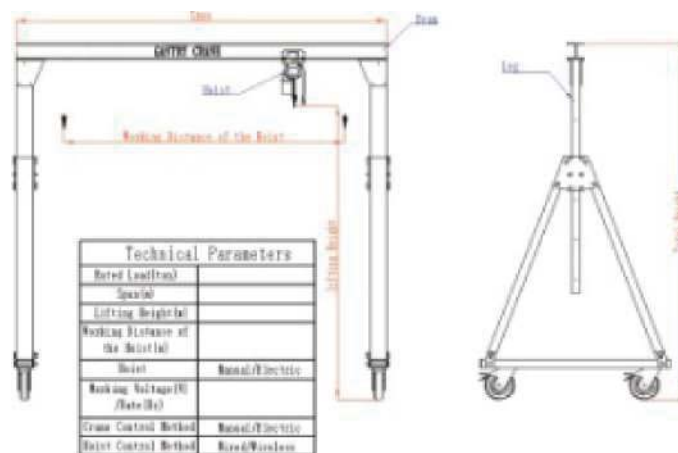
## Aluminum GANTRY CRANE

### Physical Maps

### LT Type



### 3D Picture and X-Y drawing



The specifications are our hot-sale. Other sized need customized. But no mold fee.

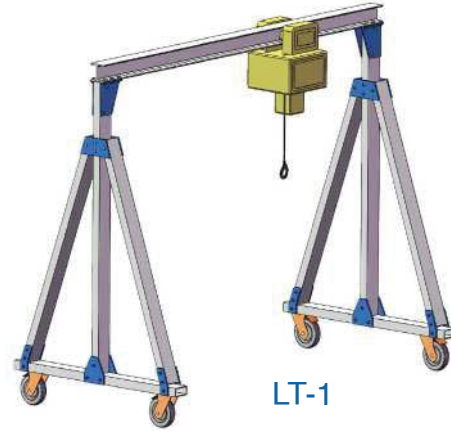
Please provide us the rated load, the lifting height, the span.



## LT Type Aluminum Gantry Crane

Rail mounter type makes the gantry crane more stable. But it means the floor of your local place can lay the track easily. Electric moving makes the production efficiently. For the adjustment, you can choose from PT2-1, PT2-2 or PT2-4.

According to your requirements, we can design the suitable size for you.



LT-1

### Technical Parameters

All the hoist attached are super-low lifting loop chain electric hoist. And the lifting height and the inner span may be have a little change as your requirements size and lifting load. Then the data are not the final. All the datas will be based on our designs.



LT-2

LT-2

LT-3

LT-3

Item No.	Rated load (ton)	Total height (mm)	Max. Lifting height (mm)	Outside span (mm)	Inner span (mm)	H Height (mm)
LT-1	0.5	3000	2420	2000	1800	460
	0.5	3000	2420	3000	2880	460
	0.5	4000	3420	3000	2880	460
	0.5	4000	3420	4000	3880	460
	1	3000	2470	2000	1880	410
	1	3000	2470	3000	2880	410
	1	4000	3470	3000	2880	410
	1	4000	3470	4000	3880	410
	2	3000	2215	2000	1800	535
	2	3000	2215	3000	2800	535
	2	4000	3215	3000	2800	535
	2	4000	3215	4000	3800	535
	3	3000	2122	2000	1800	685
	3	3000	2122	3000	2800	685
	3	4000	3122	3000	2800	685
3	4000	3122	4000	3800	685	
Item No.	Rated load (ton)	Total height (mm)	Max. Lifting height (mm)	Outside span (mm)	Inner span (mm)	H Height (mm)
LT-2	1	2000-3000	2470	3000	2880	410
	1	2000-3000	2470	4000	3880	410
	1	2600-4000	3470	3000	2880	410
	1	2600-4000	3470	4000	3880	410
	2	2000-3000	2215	3000	2800	535
	2	2000-3000	2215	4000	3800	535
	2	2600-4000	3315	3000	2800	535
	2	2600-4000	3315	4000	3800	535
	3	2000-3000	2122	3000	2800	685
	3	2000-3000	2122	4000	3800	685
	3	2600-4000	3122	3000	2800	685
	3	2600-4000	3122	4000	3800	685
Item No.	Rated load (ton)	Total height (mm)	Max. Lifting height (mm)	Outside span (mm)	Inner span (mm)	H Height (mm)
LT-3	1	2000-3000	2470	3000	2880	410
	1	2000-3000	2470	4000	3880	410
	1	2600-4000	3470	3000	2880	410
	1	2600-4000	3470	4000	3880	410
	2	2000-3000	2215	3000	2800	535
	2	2000-3000	2215	4000	3800	535
	2	2600-4000	3315	3000	2800	535
	2	2600-4000	3315	4000	3800	535
	3	2000-3000	2122	3000	2800	685
	3	2000-3000	2122	4000	3800	685
	3	2600-4000	3122	3000	2800	685
	3	2600-4000	3122	4000	3800	685

# GANTRY CRANE



## Applications:

- In warehouse, in workshop to lift heavy things.
- In garage, to lift motor and other spares.
- In lab
- To lift tombstone
- To lift stones
- To lift ships and airplanes
- To lift other heavy loading
- Using in the ship.



# GANTRY CRANE

- Precision to tolerances and welding for exact component alignment smooth operation, superior stability, and long life.
- We only use standardized, quality American made I-beams.
- All nuts, bolts, and pins are plated for corrosion resistance.
- High-quality, long-lasting, non-marring, polyurethane covered steel casters are standard on all of our gantry cranes. They easily with sand oil and most other chemicals, while providing smooth rolling performance even on rough floors.
- Outdoor use options available, including exterior coatings and stainless steel motors.



A 'set-up site' manufacturer of light rail cars uses a 7.5-ton Gantry Crane to lift and move large drive train chassis through a long assembly process. Then, fiber glass shells are mounted onto the chassis using two 10-Ton Adjustable Gantry Cranes. The cranes are used in tandem with a webbing sling to lift the shells onto the chassis. When they're finished with one project, the workers simply disassemble the crane and move them to the next location.

## A leading manufacturer

of commercial modular buildings changed its production process and needed a way to handle 6500 pound bundles of steel. The steel's length and the plant's small size, made the use of Combilifts™ unsafe and inefficient. The low ceilings required a custom-engineered, application-specific, material handling solution: two small Gantry Crane stied together with upper and lower steel channels and guided by double V-groove tracks. We provided turnkey installation.



# GANTRY CRANE



- Polyurethane Casters: Less wear and tear on the floor, small noise, good vibration ability, but less carrying capacity, suitable for use in 3 ton and below.
- Nylon Casters: Good wear resistance, strong bearing capacity, high hardness, corrosion resistance, suitable for large tonnage.
- Rubber Casters: The environment will have a little influence on it, the corrosion resistance is strong, suitable for the use of large tonnage.



# GANTRY CRANE

## Certifications



# GANTRY CRANE

## Exhibitions

Pictures only show the exhibitions we have attended this year. And plan to attend the exhibitions abroad next year in France and Philippines.

